

Carbon Vane Replacement for Air2-Air6 Rotary Vane Compressors

We recommend replacing carbon vanes at nine month intervals to ensure trouble free operation of your compressor.

Please check your package for 4 Carbon Vanes and 1 Replacement Gasket per kit.

Required Tools:

- 3/8" and 7/16" Socket or Wrench
- Sharp knife
- Anti-seize compound
- Small hammer

REPLACEMENT PROCEDURE

Before replacing vanes, disconnect the compressor from its power source. Remove the two end caps from the front of the muffler box. Carefully remove the five bolts that hold the muffler box in place. Be careful not to damage the gasket. If it becomes torn, scrape it off with a sharp knife and replace with new gasket. Tap the box with a small hammer to break it loose.

DO NOT PRY WITH A SCREWDRIVER

The gasket will be damaged. Next, remove the six bolts holding the end plate to the body. Remove the end plate and four vanes.

DO NOT REMOVE THE ROTOR OR LOOSEN ANY OF THE ELECTRIC MOTOR-THROUGH BOLTS

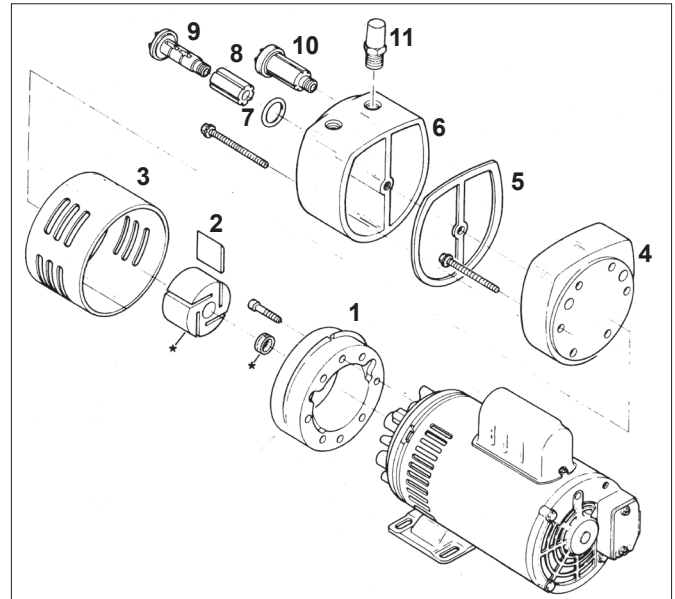
Adjust the top clearance, between rotor and body by:

- Loosening the two body bolts
- Lightly tapping on the pump body and turning the rotor while setting this clearance. About .004 inch or the thickness of this paper works well.

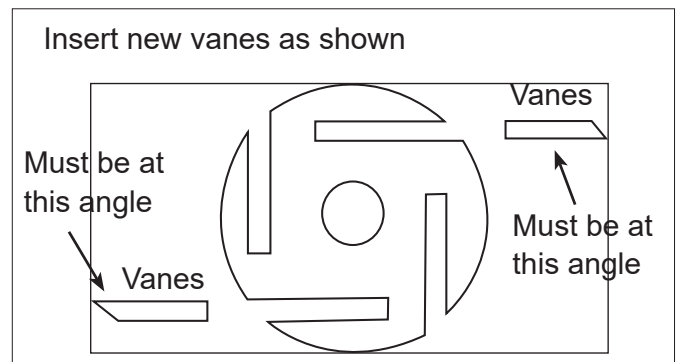
REASSEMBLE BY REVERSING DIRECTIONS.

Bolts should be reinstalled and tightened in a similar manner to replacing the lug nuts on a vehicle wheel. Start with one bolt and move to the right, skipping one and tightening the next.

When reinstalling the muffler box, be certain to install the center bolt first to ensure proper gasket alignment. Before replacing the muffler box, plug your compressor in for a quick sound check of the valve rotation. **If an unusual sound or stopping of the rotor takes place, disconnect and recheck the vane placement.**



#	Description	Qty.
1	Body	1
2	Vane	4
3	Shroud	1
4	End Plate	1
5	Gasket	1
6	Muffler Box	1
7	O-Ring	2
8	Felt	2
9	End Cap	2
10	End Cap Assembly	2
11	Filter/Muffler	1



To purchase vane kits or if you have any problems, please contact us